

- [CZ] Montážní návod
- [DE] Montageanleitung
- [DK] Monteringsvejledning
- [EE] Paigaldusjuhend
- [FI] Asennusohje
- [FR] Notice de montage
- [HU] Szerelési útmutató
- [IT] Istruzioni di montaggio
- [LT] Montavimo Instrukcijos
- [LV] Instalācijas instrukcija
- [NO] Monteringsanvisning
- [PL] Instrukcja montażu
- [RU] Инструкция по монтажу
- [SE] Installationsanvisning
- [UK] Installation Instructions

DO NOT PRINT

version/date 01/13.02.2022
 revision/date 5/15.03.2022

Main Office
 Thorn Lighting
 Durhamgate
 Spennymoor
 County Durham
 DL16 6HL
 United Kingdom
 T +44 0 191 365 2222
 info.uk@zumtobelgroup.com

Punch 3 LRO
 Surface / Suspended
 Continuous row

A Surface-mounted

B Suspended

C Suspended continuous row

TYPE 1

TYPE 2/3

COVER (NO LIGHT)

GET IN TOUCH
<http://www.thornlighting.com/PNC3>

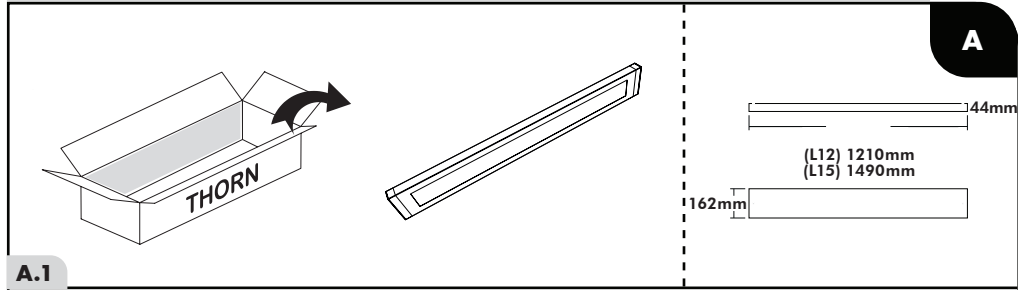
THORN

THORN

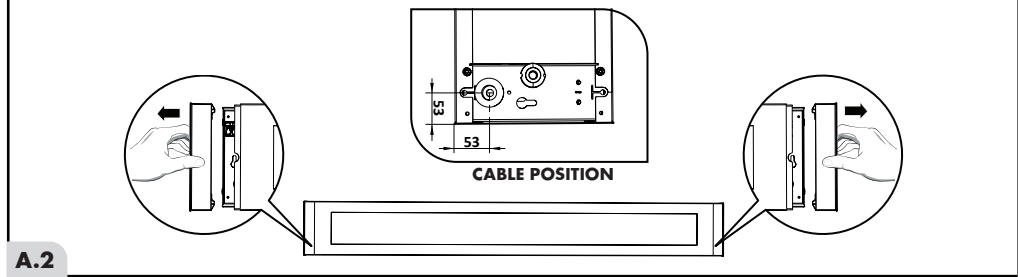
ver01rev5/150322

Punch 3 LRO (MSC) "Surface-mounted"

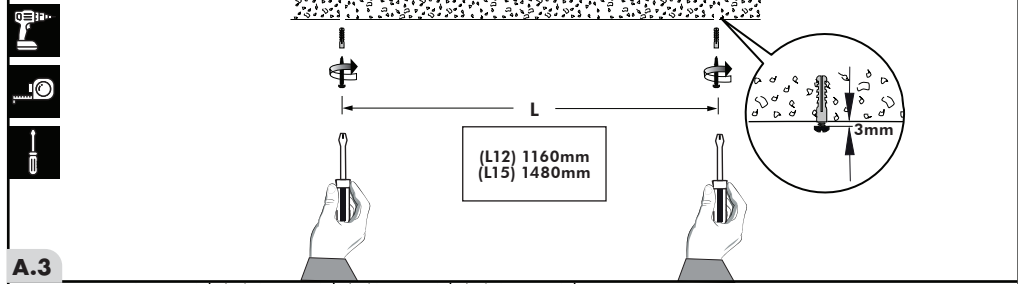
#2



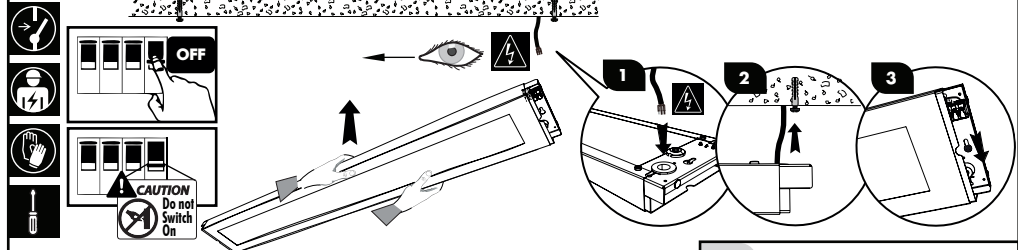
A.1



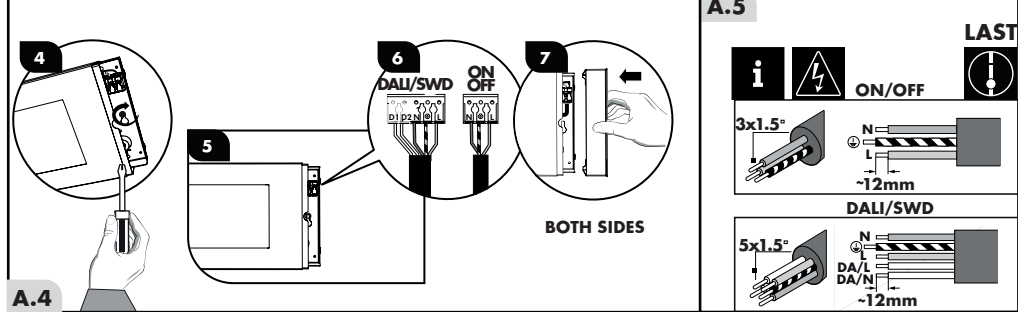
A.2



A.3



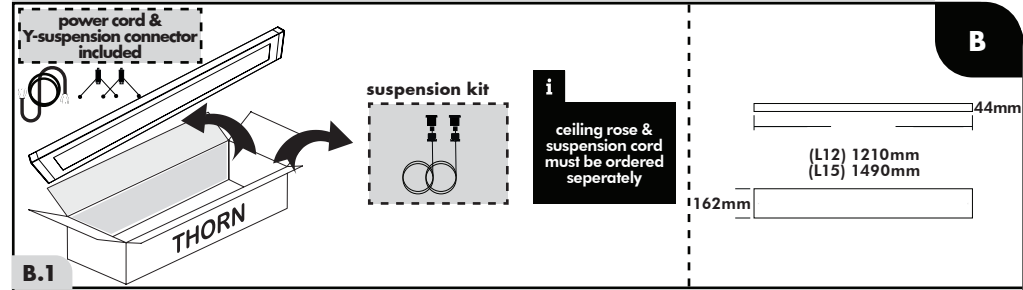
A.4



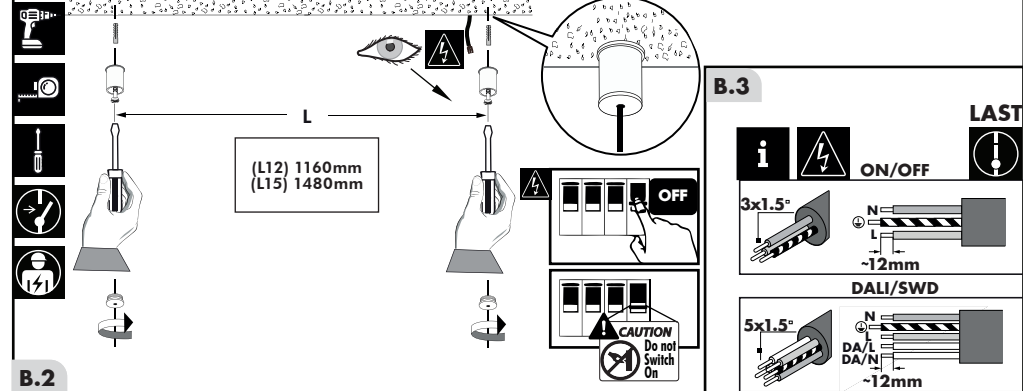
A.5

Punch 3 LRO (MSP) "Suspended"

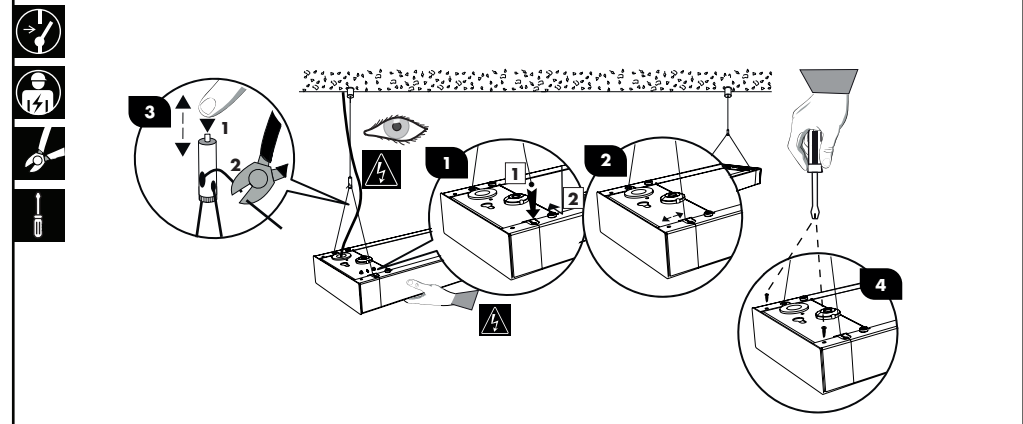
#3



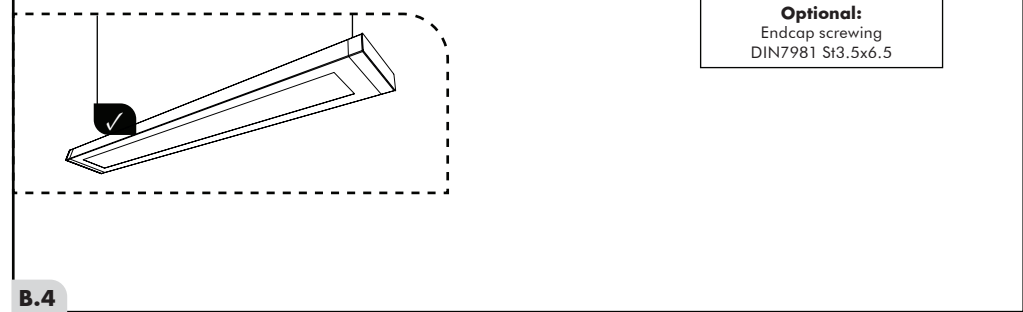
B.1



B.2



B.3



B.4

power cord & Y-suspension connector included

continuous row
Type 1
(1pcs)
L:54mm

suspension kit

ceiling rose & suspension cord must be ordered separately

continuous row
Type 2/3
(1pcs)
L:900mm
L:1500mm

through wiring
(1.8m)

44mm

(L12) 1210mm
(L15) 1490mm

162mm

C

TYPE 1

TYPE 2/3

TYPE 1

TYPE 2/3

DALI/SWD
D1 D2 N 0 L

ON/OFF
N 0 L

THROUGH WIRING

C.2

L

(L12) 1160mm
(L15) 1480mm

C.4

LAST

ON/OFF

3x1.5"

N

L

-12mm

DALI/SWD

5x1.5"

N

DA/L

DA/N

-12mm

CAUTION
Do not Switch On

C.3

C

Optional:
Endcap screwing
DIN7981 St3.5x6.5

TYPE 1

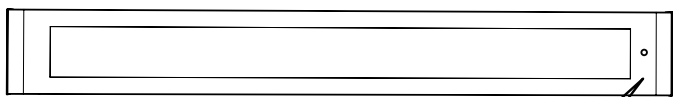
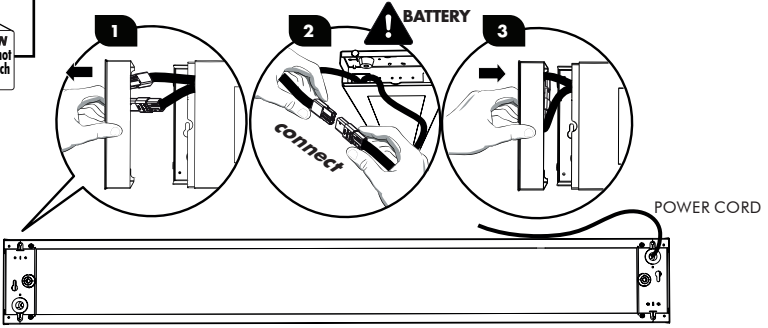
TYPE 2/3

through wiring

individual power supply

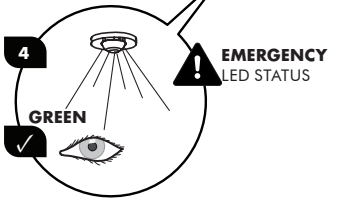


After the installation steps and commissioning of the luminaire according your mounting type (MSC) or (MSP), the steps below are only for version with Emergency kit

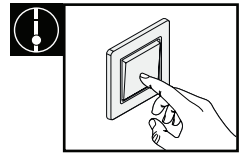


Status LED

- Intermittent green: battery regeneration after commissioning as well as after each battery replacement
- Permanent green: battery correctly connected, battery charged or self-test operation
- Flashing red: defective battery charge, battery not connected or battery capacity too low
- Flashing intermittent red: defective or unconnected LED luminaire unit
- Off: battery totally flat, defective emergency lighting unit or in emergency operation



LAST



• Please indicate the Commissioned Date on the label